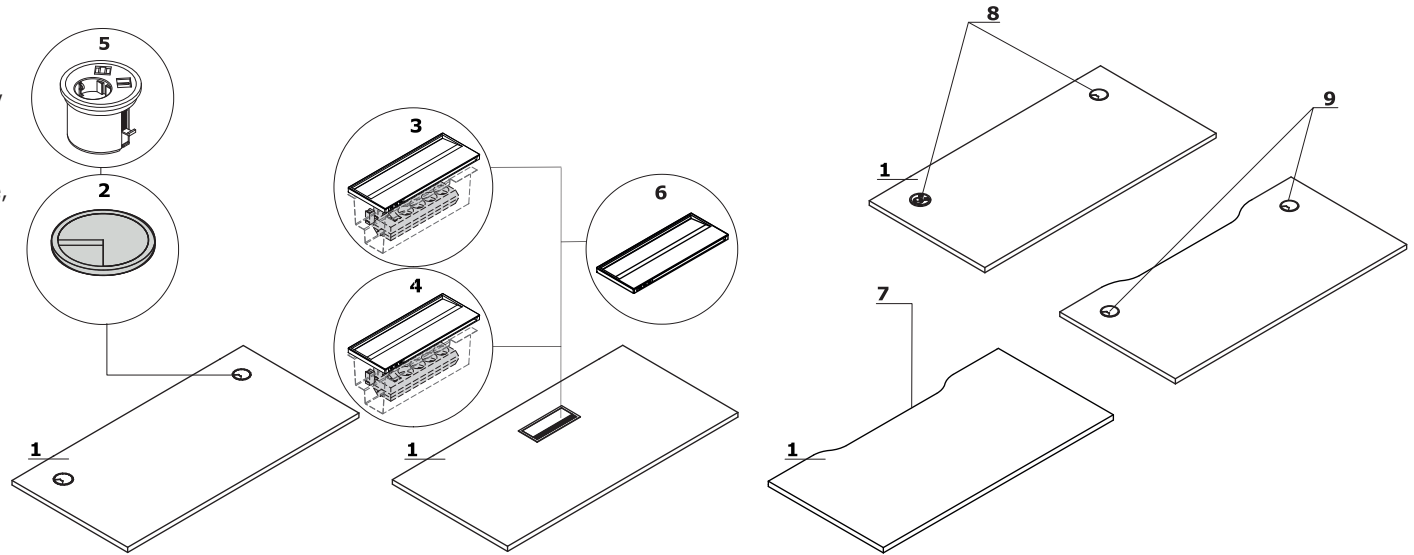


Worktop

1 Worktop - MFC 28 mm, ABS edge 2mm

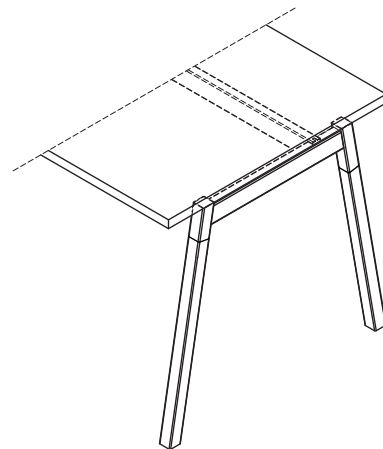
OPTIONS WITH EXTRA CHARGE:

- 2 Grommet** - 2 pcs, Ø 80 mm
3 Mediabox M14H - 2xRJ45 (class E, cat. 6); +1 x USB + 3 x USB C + 1 x HDMI + 4x 230V
4 Mediabox M14 - 2xRJ45 (class E, cat. 6); +1 x USB + 3 x USB C + 4x 230V
5 Mediabox M071 - 1 x 230V + USB A charger + USB C charger, colour: black, white, mounted instead of the existing grommet Ø80mm (PK80)
6 Top access M15 - 3 x USB C
7 Cable way - the width of the opening is proportional to the width of the worktop
8 Mediabox M071 + cable grommets
9 Cable way + cable grommets - desks (46€), bench desks (92€)



Frame

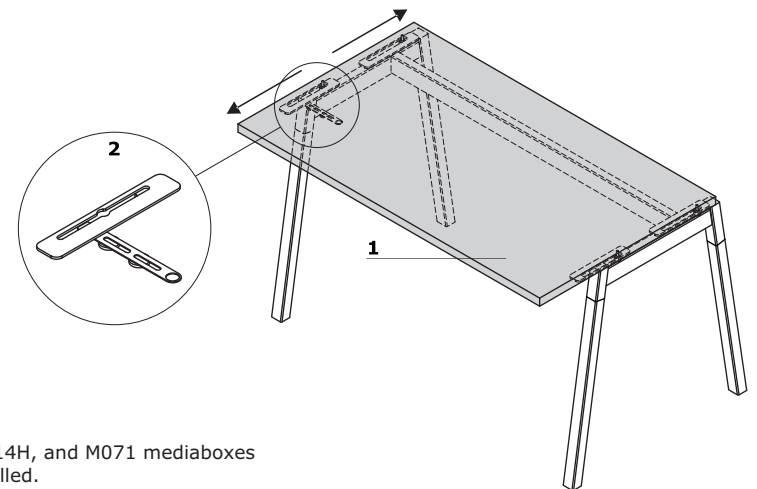
Ogi W - natural wood - ash, with metal element, powder coated, coated with transparent varnish, profile 40 x 40 mm, spacer 10 mm between top and frame



Attention - cable tray under the worktop is always in M009 - aluminium semi-matt colour; Leveling - 10 mm range.

Sliding top

- 1 Sliding top** - shifting range 141 mm
2 Tabletop sliding lock

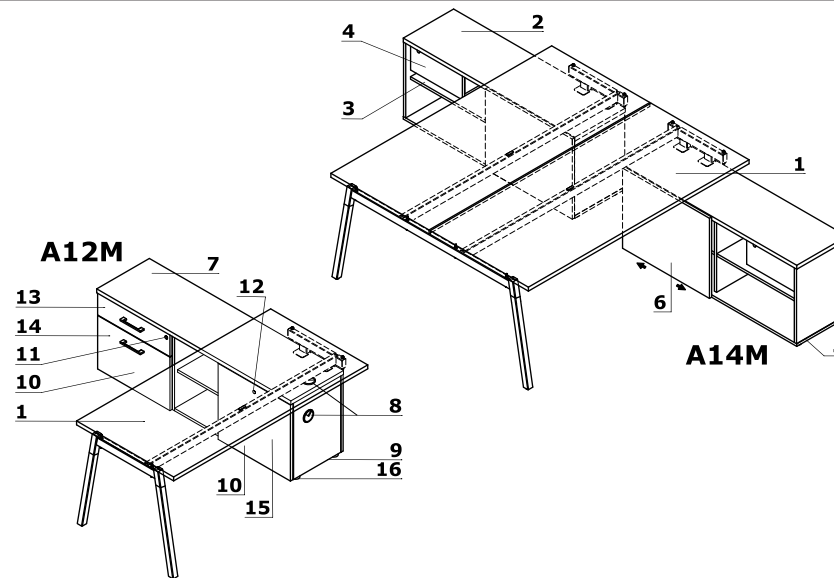


Note - M14, M14H, and M071 mediaboxes cannot be installed.

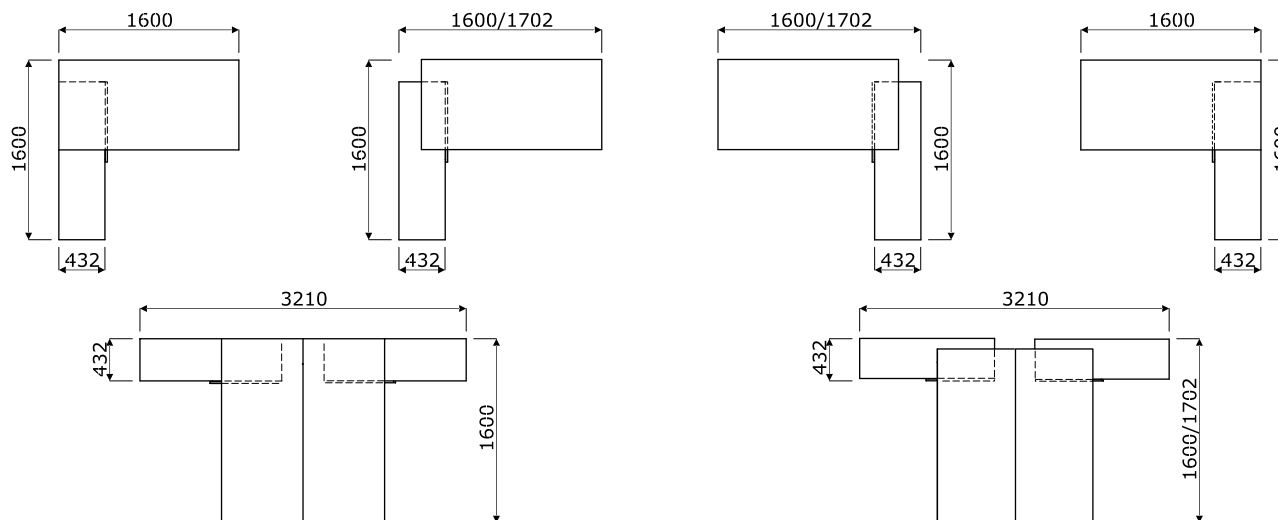
Desk with managerial storage

A14M:

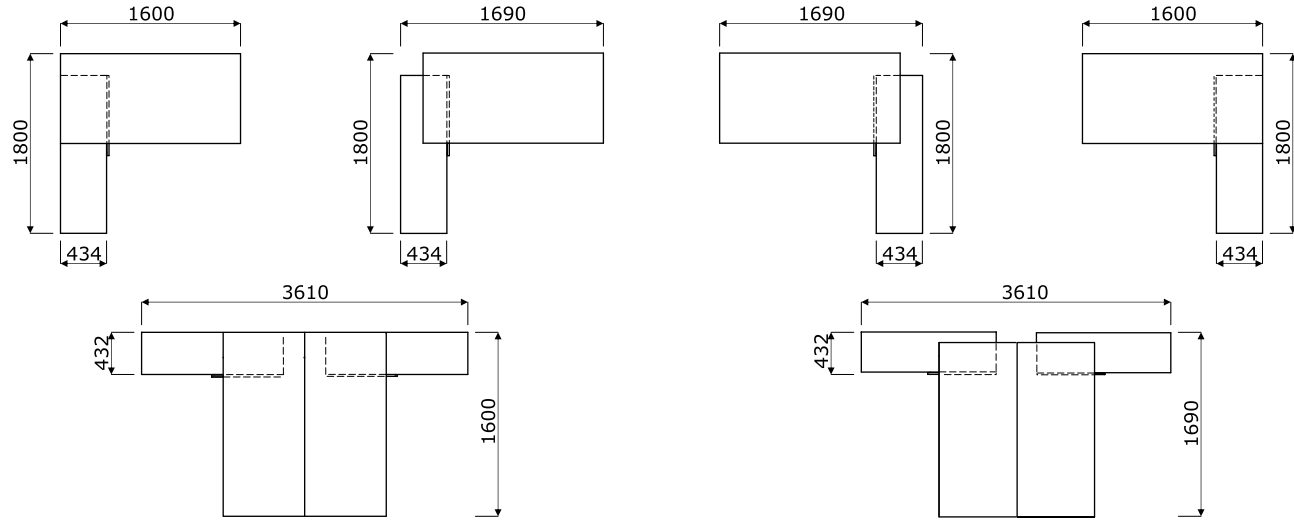
- 1 Worktop** - MFC 28 mm, ABS edge 2mm
- 2 Top** - MFC 28 mm, ABS edge 2 mm
- 3 Shelf** - MFC 18 mm, protection against accidental falling-out, ABS edge 2 mm, max load 30 kg
- 4 Drawer** - MFC 18 mm, ABS edge 2 mm, patent lock - possible to change location
- 5 Base** - MFC 18 mm, ABS edge 2 mm
- 6 Front** - MFC 18 mm, ABS edge 2 mm
- A12M - OPTION WITH EXTRA CHARGE:**
- 7 Top** - MFC 28 mm, ABS edge 2 mm
- 8 Cable grommets** - Ø80 mm
- 9 Base** - MFC 18 mm, ABS edge 2 mm
- 10 Front** - MFC 18 mm, ABS edge 2 mm
- 11 Central lock** - foldable key
- 12 Patent lock**
- 13 Metal drawer** - roll runners, max load 25 kg, 80% extraction, anti-tilt mechanism
- 14 Suspension files drawer** - with bottom, ball runners, max load 45 kg, 100% extraction, Push-to-Open
- 15 Drawer with bottom** - ball runners, max. load 40 kg, 100 % extraction, push-to-open, enough space for computer
- 16 Leveling feet** - range 5 mm



Configuration examples - desk with managerial storage - A14M (mm)



Configuration examples - desk with managerial storage - A12M (mm)

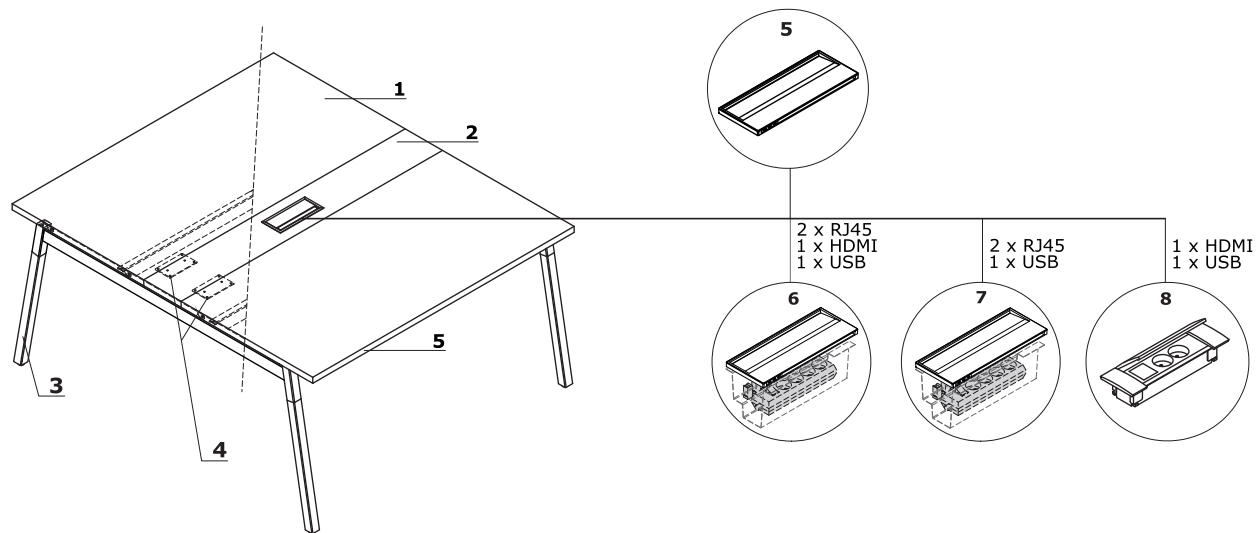


Conference tables

- 1 **Worktop** - MFC 28 mm, ABS edge 2mm
- 2 **MFC element** - without mediabox as standard
- 3 **Natural wood** - ash, with metal element, powder coated, coated with transparent varnish, profile 40 × 40 mm, spacer 10 mm between top and frame
- 4 **Fixing flat bar**

OPTIONS WITH EXTRA CHARGE:

- 5 **Worktop edge** - colour: ash natural
- 6 **Top access M15** - 3 x USB C
- 7 **Mediabox M14H** - 2xRJ45 (class E, cat. 6); +1 x USB + 3 x USB C + 1 x HDMI + 4x 230V
- 8 **Mediabox M14** - 2xRJ45 (class E, cat. 6); +1 x USB + 3 x USB C + 4x 230V
- 9 **Mediabox M06H** - OPTION WITH ADDITIONAL CHARGE - 2x230V+HDMI+USB, colour: anodised aluminium, white, black

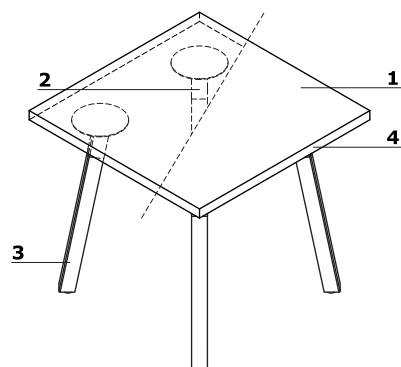


Tables

- 1 **Top** - MFC 18 mm, ABS edges 2 mm
- 2 **Metal element** - powder coated
- 3 **Frame** - metal frame , profile 40 × 40 mm, wooden leg - ash natural

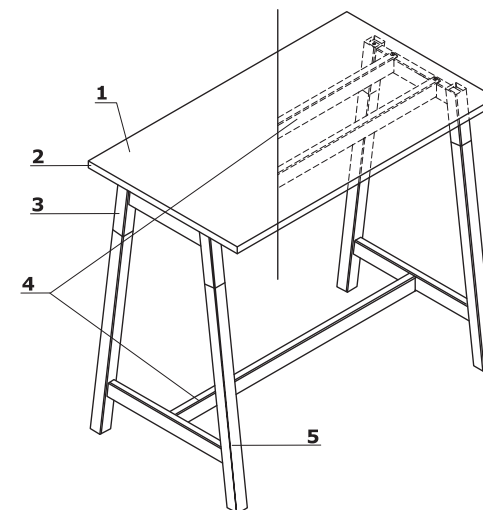
OPTIONS WITH EXTRA CHARGE:

- 4 **Worktop edge** - colour: ash natural



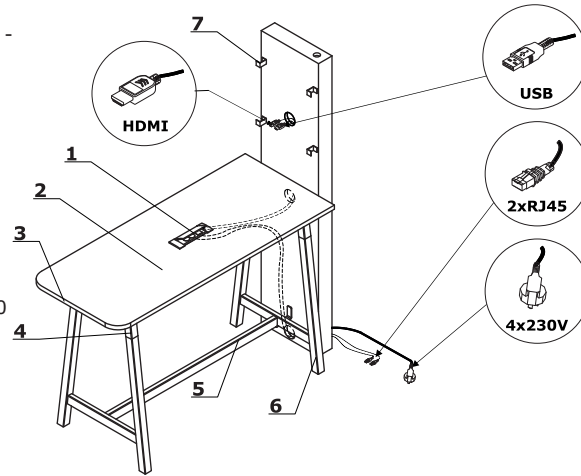
High tables

- 1 **Worktop** - MFC 28 mm, ABS edge 2mm
- 2 **OPTION WITH EXTRA CHARGE** - worktop edge, colour: ash natural
- 3 **Metal element** - powder coated
- 4 **Frame** - metal, profile 50 × 50 mm
- 5 **Natural wood** - ash, coated with transparent varnish, profile 40 × 40 mm

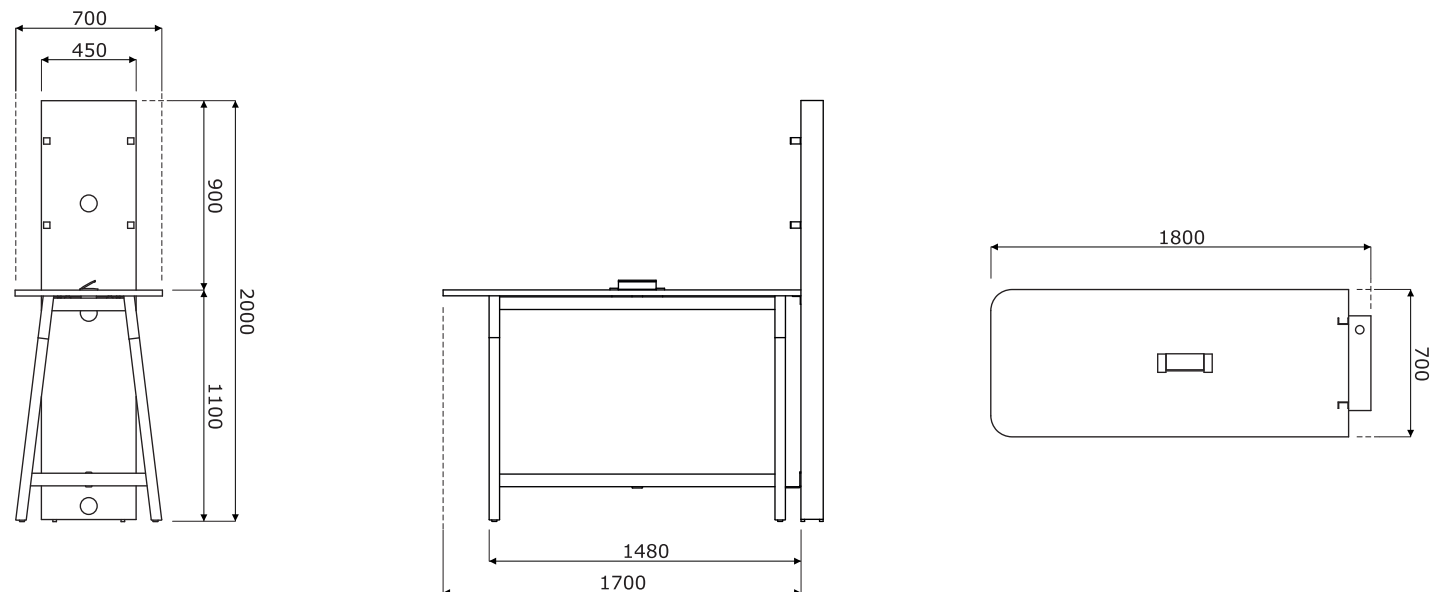


Technical specification

- 1 Mediabox M14H** - 2xRJ45 (class E, cat. 6); +1 x USB + 1 x HDMI + 4x 230V + 3 x USB C
- 2 Worktop** - MFC 28 mm, ABS edge 2mm
- 3 OPTION WITH EXTRA CHARGE** - worktop edge, colour: ash natural
- 4 Metal element** - powder coated
- 5 Frame** - metal, profile 50 x 50 mm
- 6 Natural wood** - ash, coated with transparent varnish, profile 40 x 40 mm
- 7 Handles** - VESA fixing, spacing 200x200, 300x300, 400x400mm, max weight of TV 20 kg



Dimensions (mm)



Cable management

